



# Royal Industrial Suppliers

Quality Fasteners Specialist

No. 4, M.G.S. Complex, Benki Nawab Street, S.P. Road Cross, Bangalore 560002

An ISO 9001:2015 Certified Co



8310165941 / 9008782885



sales@royalfastenersindia.com



www.royalfastenersindia.com

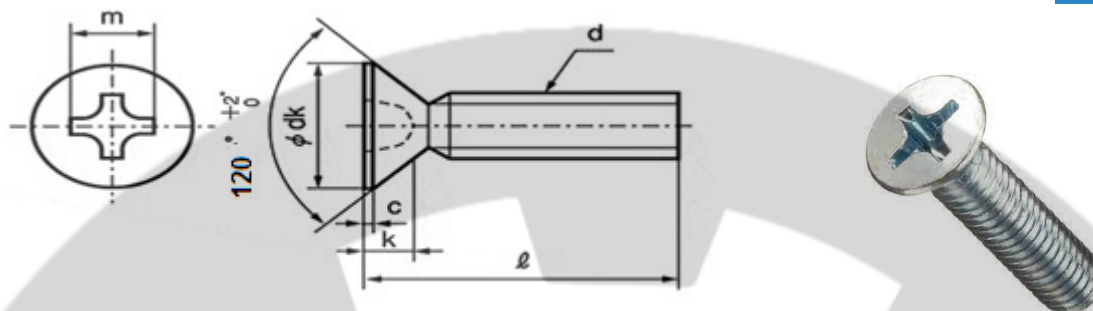
## CSK PHILIPS MACHINE SCREW

DIN 965

120DEGREES

CATALOGUE NUMBER: R4A21-1

AISI 304 A2



Parameter ↓	Size →	M2x0.4	M2.5x0.45	M3x0.5	M3x0.5 THIN HEAD	M4x0.7	M5x0.8
Head Dia (dk)	Max	4.00	5.00	6.00	5.00	8.00	10.00
	Min	3.50	4.50	5.50	4.50	7.40	9.20
Hd Thk (k)	Max	1.00	1.10	1.20	1.00	1.80	2.40
	Min	0.80	0.90	1.10	0.80	1.60	2.20

Send your Orders / Enquiries along with the following Item Codes

All Dimensions are in MM

Length ↓	Size →	M2x0.4	M2.5x0.45	M3x0.5	M3x0.5 THIN HEAD	M4x0.7	M5x0.8
3		R4A21020103	R4A21205103				
4		R4A21020104	R4A21205104	R4A21030104	R4A21031104		
5		R4A21020105	R4A21205105	R4A21030105	R4A21031105	R4A21040105	
6		R4A21020106	R4A21205106	R4A21030106	R4A21031106	R4A21040106	R4A21050106
8		R4A21020108	R4A21205108	R4A21030108	R4A21031108	R4A21040108	R4A21050108
10		R4A21020110	R4A21205110	R4A21030110	R4A21031110	R4A21040110	R4A21050110
12		R4A21020112	R4A21205112	R4A21030112	R4A21031112	R4A21040112	R4A21050112
16		R4A21020116	R4A21205116	R4A21030116	R4A21031116	R4A21040116	R4A21050116
20		R4A21020120	R4A21205120	R4A21030120	R4A21031120	R4A21040120	R4A21050120

Sizes in BLUE are non-preferred. Availability is limited and MOQ is higher.

Data is strictly informative

Note: All Austenitic Stainless Steel Fasteners may exhibit some Magnetic Properties due to the Manufacturing Process.

Refer: ISO 3506-2 Annex F